

## RX WIRE ROPE HOIST

FOR ALL INDUSTRIAL APPLICATION AREAS



**Decades of experience**  
in the production of wire rope hoists



**Robust design** with solid technology,  
designed for durability



**All components easily accessible,**  
thus extremely maintenance-friendly



**Flexibly adaptable**  
to and in existing cranes and machinery

## RX Wire Rope Hoist



**Lifting capacities between 1,000 kg and 50,000 kg**



**2 or 4 rope strands**

Reeving 2/1, 4/1 and 4/2



**Lifting speeds from 1.5 m/min to 12m/min**

Single-speed, two-speed, frequency-controlled



**Foot mounts**

that allow for „standing“ or „hanging“ mounting.  
(As a foot hoist or for a double-girder-trolley)

### Features

- ▶ 380 - 440V / 50 - 60Hz / 3 phases
- ▶ 24 V, 48 V, 230 V (optional)
- ▶ Insulation class: IP 55 (standard) - IP 66 (optional)
- ▶ Three-phase asynchronous motor, sliding anchor motor (optional)
- ▶ Control voltage: 42 V, 110 V
- ▶ Planetary gear

### Safety

- ▶ Electronic overload protection, with two adjustable levels
- ▶ Overheating protection for hoist motor

### Options

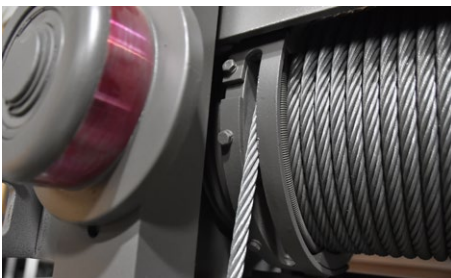
- ▶ Radio remote control
- ▶ Special painting
- ▶ Outdoor application
- ▶ Festoon cable systems
- ▶ Load spectrum monitoring
- ▶ Synchronization
- ▶ Load summation
- ▶ Load measurement
- ▶ Load display
- ▶ Hoist units as „True Vertical“ version
- ▶ Anti Sway Control

# Advantages



## Robust design

All components are designed for durability and ease of maintenance. Decades of experience and continuous development make the RX wire rope hoist a reliable partner for moving your loads.



## Three-piece rope guide ring also in cast iron design

Stable and easy to install. The rope is optimally guided on the rope drum. The tension spring ensures that the rope is held in the rope groove and thus protects against damage and slack rope on the drum.



## Planetary gear

The planetary gearbox is extremely robust, easily accessible and guarantees optimum power transmission between the hoist motor and rope drum.



## Electronic overload protection

... with two adjustable levels, protects the hoist and all components directly affected by the load from overload. (Performance Level C).



## Electromagnetic disc brake

Safe and easy to maintain.

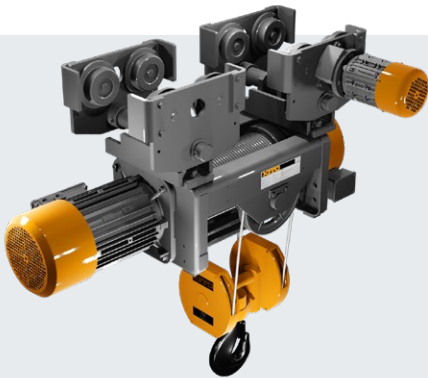


## The types



### Foot mounted hoist

Foot mounted hoist without trolley. For lifting capacities from 1,000 kg up to 50,000 kg



### Monorail trolley

Hoist with standard headroom trolley. For capacities from 1,000 kg up to 32,000 kg.



### Double girder trolley

For capacities from 1,000 kg up to 32,000 kg either supported or suspended, version S2-S4. Only in supported execution for capacities from 20,000 kg up to 25,000 kg 2 rope falls, for capacities from 40,000 kg up to 50,000 kg 4 rope falls. also available as double hoist with capacities up to 100,000 kg.



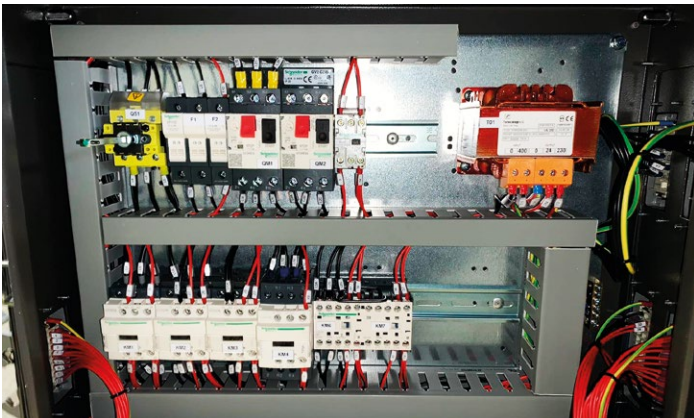
### Low headroom monorail hoist trolley

For capacities from 1,000 kg up to 16,000 kg.



**The RX wire rope hoist is suitable for the use in a wide variety of applications in an industrial environment:**

- 🔧 Production plants
- 🔧 Plant engineering
- 🔧 Production lines
- 🔧 Workshops
- 🔧 Ship equipment
- 🔧 Service & Maintenance

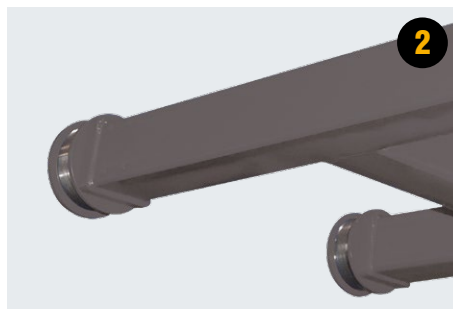


## RX product description



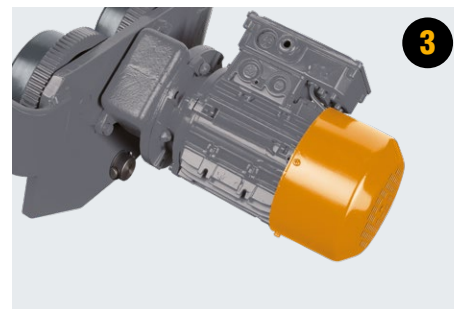
### 1. Rope Guide

The rope guide consists of two parts: the guide ring and tension spring. The tension spring ensures that the rope lays correctly into the drum groove whilst the guide ring always maintains the rope in the correct position preventing the rope from coming off the drum groove. By moving the guide ring along the drum, the limit switches for the highest and lowest hook positions are activated. The limit switch actuation is freely accessible and the setting can be made without great effort.



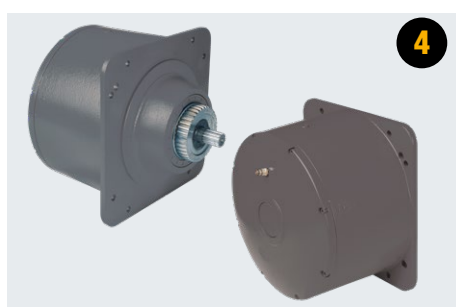
### 2. Wheels

The double-girder trolley is equipped with double-flange wheels. All wheels have high quality ball bearings. The driven wheels are connected directly to the self braking gearmotor. This maintenance-friendly, long-life construction enables the best power transmission between the running wheels and the trolley rail, as well as less wear.



### 3. Trolley construction

The standard headroom monorail design enables the hoist to operate directly under and parallel with the crane or runway beam. The hoist is directly connected to the trolley. All components are freely accessible, which guarantees ease of maintenance.



### 4. Hoist gearbox

The extremely robust, two- or three-stage planetary gear ensures reliable power transmission from the hoist motor to the rope drum. The parts of the planetary gear in the power flow are made of heat-treated quality steel.



### 5. Low headroom trolley

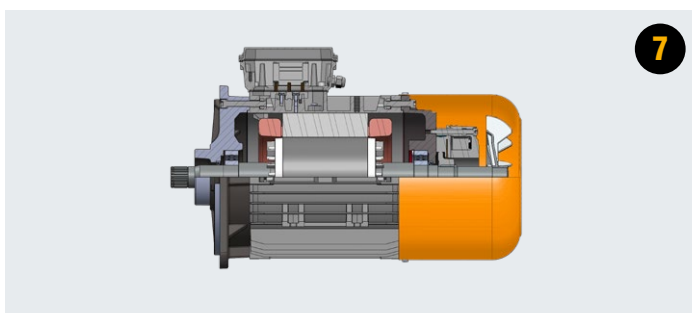
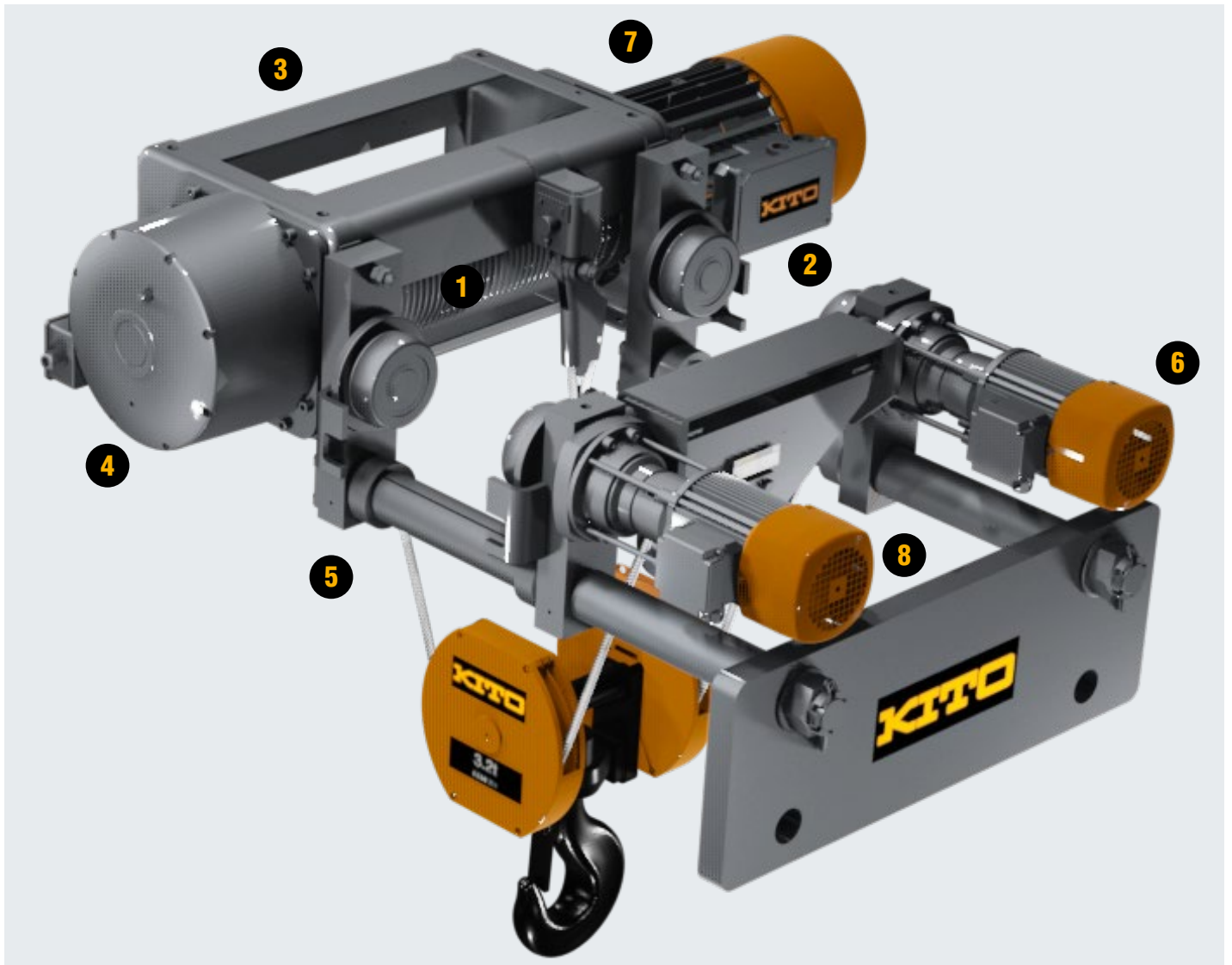
The drives of the low headroom trolley consists of two electric motors, fitted onto planetary gearboxes. The power transmission of the gears goes directly to the toothed wheel axles. This construction does not require any additional, external gears.



### 6. Disc brake

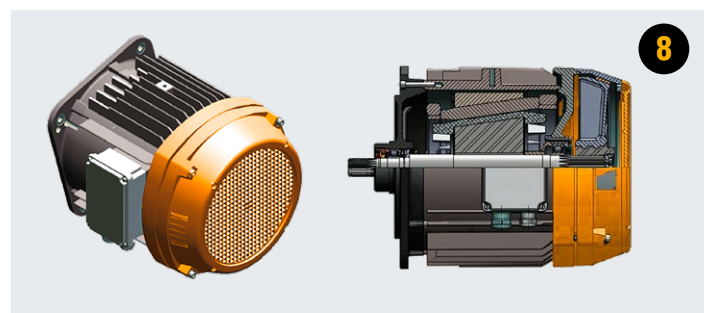
The generously dimensioned disc brake acts directly on the rotor shaft so that the braking force is effectively.





## 7. Motor

The three-phase asynchronous motors with cylindrical rotor and disc brake are available with single or dual speed option. The single speed motor allows inverter control to be fitted offering flexible speed control to suit the application requirements.



## 8. Sliding anchor motor

A sliding anchor motor with one or two speeds and a conical brake is optionally available. The axial movement of the rotor ensures that the brake works. The braking torque is provided by the axially mounted Helical spring guaranteed. The brake is released by moving the rotor axially when the motor is energized.

# KITO



## **Kito Europe GmbH**

Heerdter Lohweg 93  
40549 Düsseldorf  
Tel.: +49 211 528 009-0  
info@kito.net

[www.kito.net](http://www.kito.net)  
[www.kitogroup.eu](http://www.kitogroup.eu)

## **Strong partners: The Group in Europe**

**KITO** weissenfels

**KITO** ERIKKILA

**KITO** VAN LEUSDEN